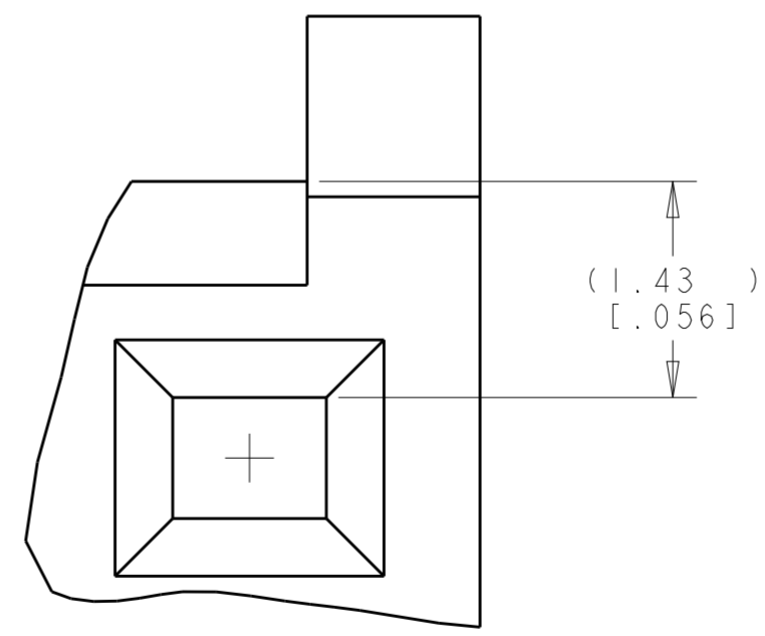
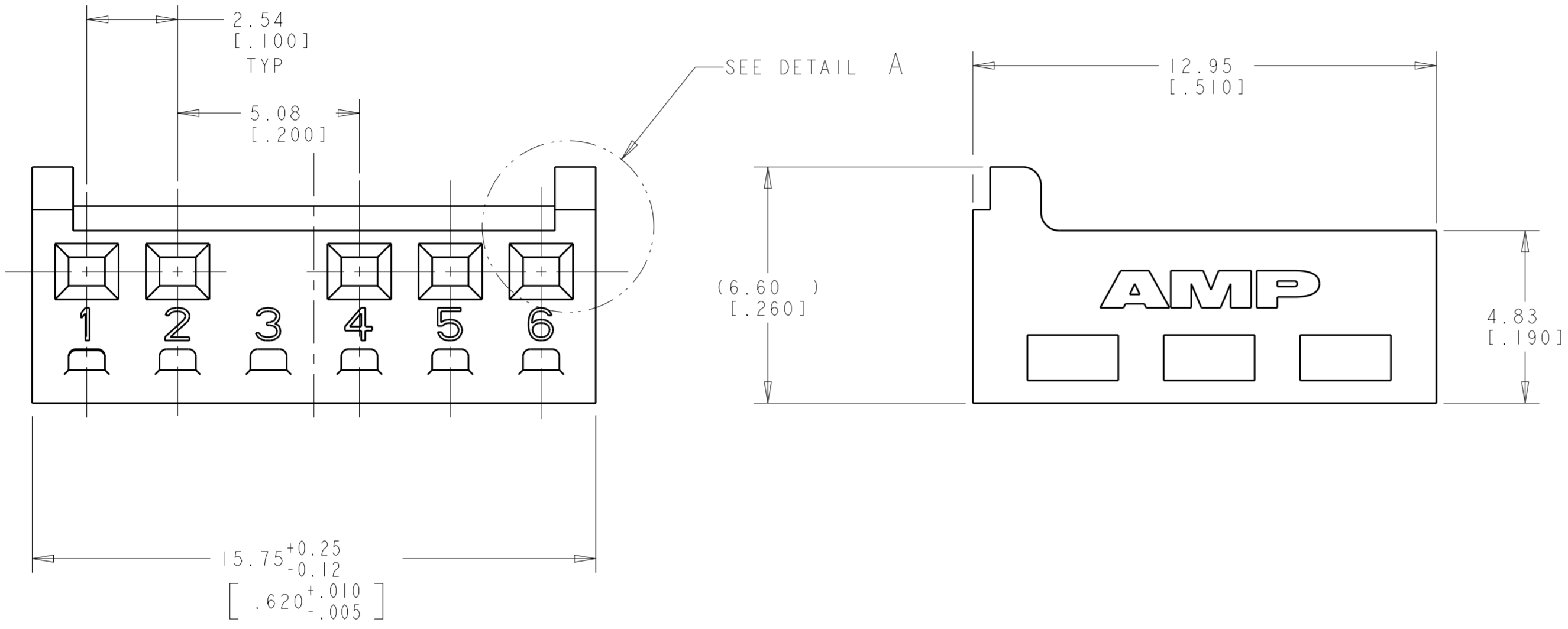


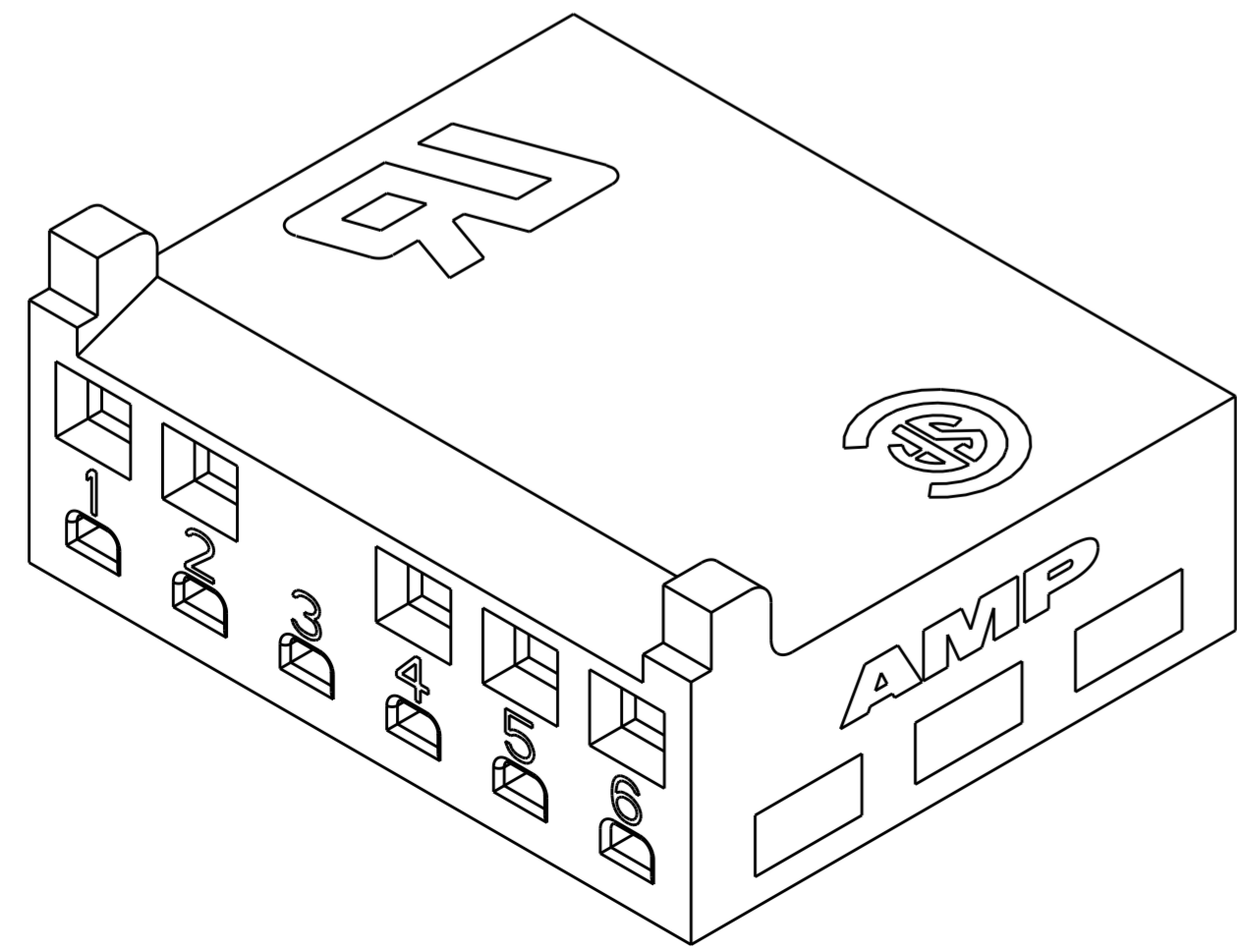
THIS DRAWING IS UNPUBLISHED. RELEASED FOR PUBLICATION 20  
 © COPYRIGHT 20 BY - ALL RIGHTS RESERVED.

REVISIONS				
P	LTR	DESCRIPTION	DATE	APVD
	C	REVISED PER ECR-13-015471	13NOV2013	KH TM

1. ACCEPTS CONTACT P/N 1375819.
  2. ACCEPTS MTA-100 KEYING PLUG P/N 641994-1.
  3. DIMENSIONS IN BRACKETS ARE IN INCHES.
  4. NOT FOR USE WITH CONTACT PART NUMBER 770601 OR 770666.
- △ 5 SUPERCEDED BY 1744329-1



DETAIL A  
SCALE 20:1



△ 5	BLACK	0.027 IN <sup>3</sup>	1744329-2
	NATURAL	0.027 IN <sup>3</sup>	1744329-1
	COLOR	VOLUME	PART NUMBER

THIS DRAWING IS A CONTROLLED DOCUMENT.		DWN K. WHITAKER 12MAR2008	STE TE Connectivity	
DIMENSIONS: mm [INCHES]		CHK S. RIDGILL 2MAR2008	NAME HOUSING, CIRCUIT 3 BLOCKED, CST-100 II	
TOLERANCES UNLESS OTHERWISE SPECIFIED:		APVD S. RIDGILL 2MAR2008	SIZE A200779	
0 PLC ±	1 PLC ±	PRODUCT SPEC 108-1948	DRAWING NO C-1744329	
2 PLC ±0.13 [.005]	3 PLC ±	APPLICATION SPEC 114-13036	RESTRICTED TO -	
4 PLC ±	ANGLES ±	WEIGHT -	SCALE 8:1 SHEET OF REV C	
MATERIAL NYLON	FINISH -	Customer Drawing		